

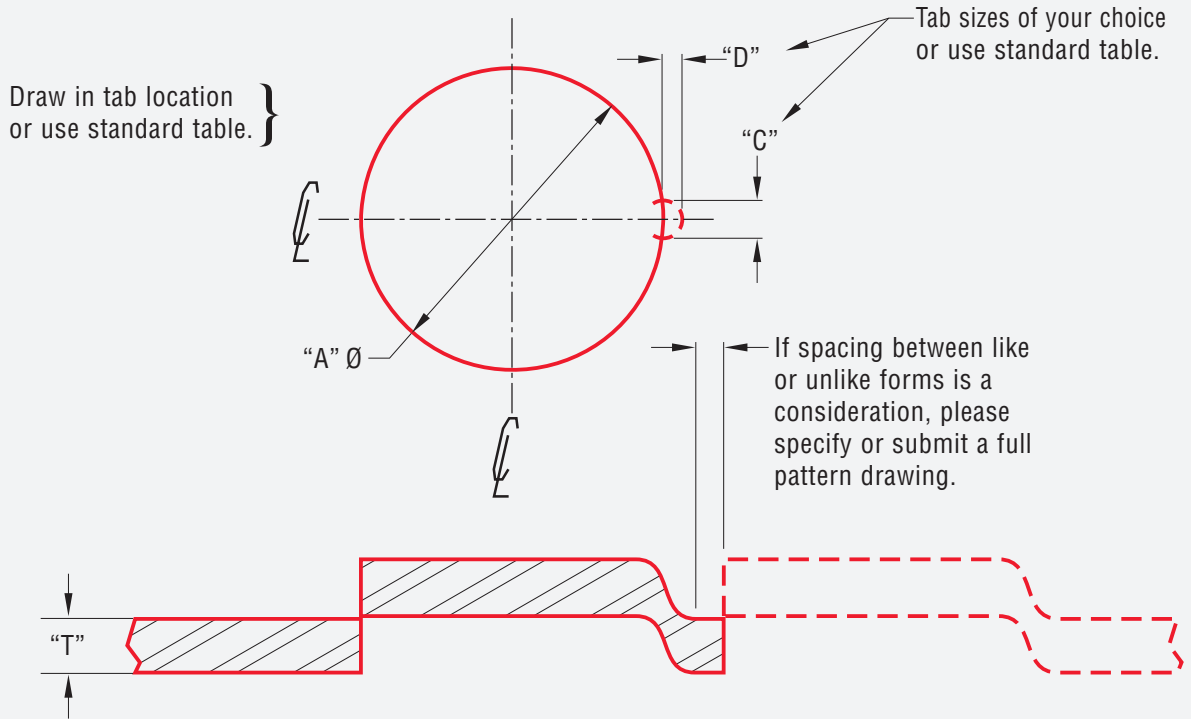
KNOCKOUT SINGLE DIAMETER UP

TOOL CODE K1

STANDARD HOLDING TABS

"A" Ø	"E" QUANTITY	LOCATION		MATERIAL THICKNESS	"C"	"D"
		LOWER	UPPER			
.000 - .313 (0.00 - 7.95)	(1) TAB IN UPPER INVERTED DIE ONLY	○	○	.020 - .045(0.51 - 1.14)	.060(1.52)	.030(0.76)
		○	○	.046 - .070(1.16 - 1.78)	.090(2.29)	.050(1.27)
.314 - 1.374 (7.97 - 34.90)	(1) TAB IN UPPER AND LOWER ASSEMBLY	○	○	.071 - .097(1.80 - 2.46)	.120(3.05)	.060(1.52)
1.375 - MAXIMUM (34.93 - MAXIMUM)	(2) TABS IN UPPER AND LOWER ASSEMBLY @ 180°	○	○	.098 - .127(2.49 - 3.23)	.180(4.57)	.090(2.29)
		○	○	.128 - .179(3.25 - 4.55)	.250(6.35)	.125(3.18)

ORDERING SPECIFICATIONS



TOOL INFORMATION

Select "A" Ø from standard table. Fill in "C", "D" and "E" only if not MATE standard.

AØ _____
 C _____
 D _____
 E _____

GENERAL INFORMATION

Material Type _____
 Material Thickness "T" _____
 Machine Type _____
 Tooling Style _____
 Tooling Station _____
 Dimensions filled in by _____
 Approved By _____

Ø indicates DIAMETER



Holland Precision Tooling BV
 Amsterdamsestraatweg 33 - 1411 AW Naarden
 Tel.: 035 - 539 90 90 - info@hptooling.nl

Dimensions in inches (millimeters)